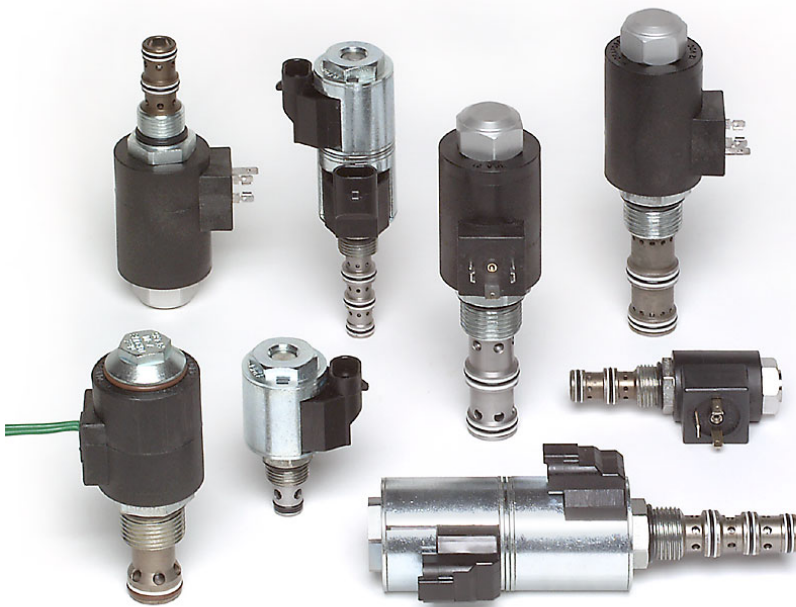


Electro-Proportional Valves



- Continuous-duty rated solenoids.
- Hardened precision spool and cage for long life.
- Cartridges voltage interchangeable.
- Efficient wet-armature construction.
- Industry-common cavity.
- Designed for excellent linearity and hysteresis.
- [Go to Electronic Controllers for Proportional Valves](#)

Selection Guide

[Recommended Electronic Controllers for Proportional Valves \(Technical Reference Info.\)](#)

[SP Valves and Coil Operating Parameters \(Technical Reference info.\)](#)

[SP Series Proportional Directional Valves](#)

[Proportional Flow Control Valves, 2-Way](#)

[Proportional Flow Control Valves, 3-Way](#)

[Proportional Flow Regulators, Pressure-Compensated](#)

[Proportional Flow Control Valves, Bi-Directional](#)

[Proportional Pressure Control Valves, Relief](#)

[Proportional Pressure Control Valves, Reducing/Relieving](#)

Electro-Proportional Valves

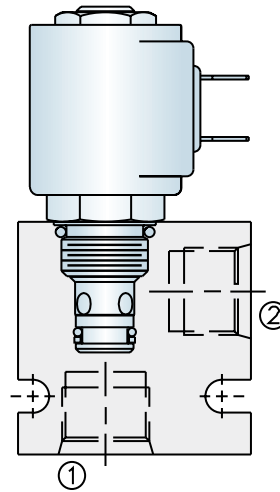
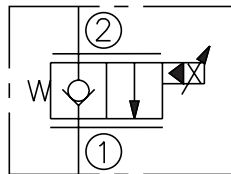


Proportional Directional Valves

Proportional Directional, 2-Way, Normally Closed

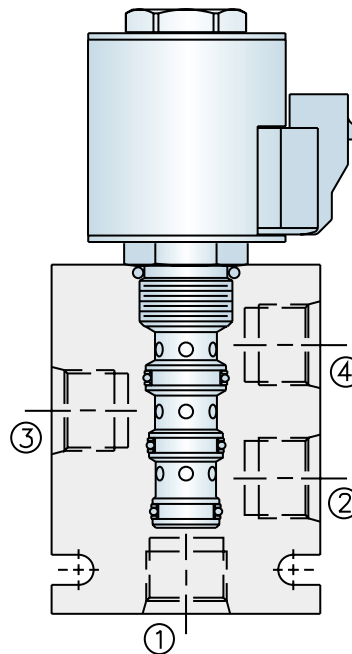
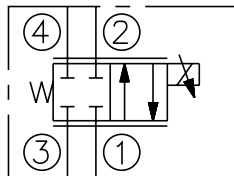
Flow	Model	Cat. Pg.
22 lpm / 6 gpm	SP08-20	2.008.1
68 lpm / 18 gpm	SP10-20	2.010.1
100 lpm / 27 gpm	SP12-20	2.012.1

New Models Highlighted



Proportional Directional, 4-Way, 2-Position, Normally Closed

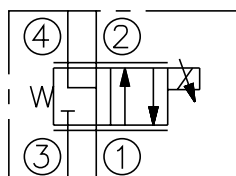
Flow	Model	Cat. Pg.
21 lpm / 5.5 gpm	SP10-41	2.080.1



Proportional Directional, 4-Way, 2-Position

Flow	Model	Cat. Pg.
23 lpm / 6 gpm	SP10-46R	2.090.1

New Model is Highlighted



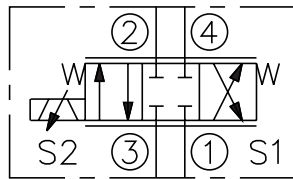
Electro-Proportional Valves



Proportional Directional Valves

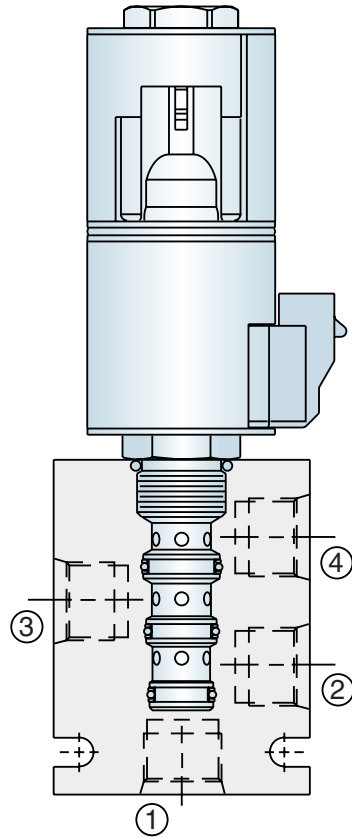
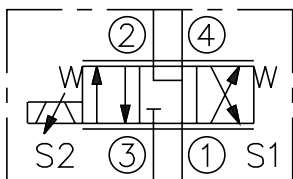
Proportional Directional, 4-Way, 3-Position, Closed Center

Flow	Model	Cat. Pg.
11 lpm / 3 gpm	SP08-47C	2.110.1
22 lpm / 3 gpm	SP10-47C	2.111.1



Proportional Directional, 4-Way, 3-Position, "Motor Spool"

Flow	Model	Cat. Pg.
11 lpm / 3 gpm	SP08-47D	2.120.1
22 lpm / 3 gpm	SP10-47D	2.121.1



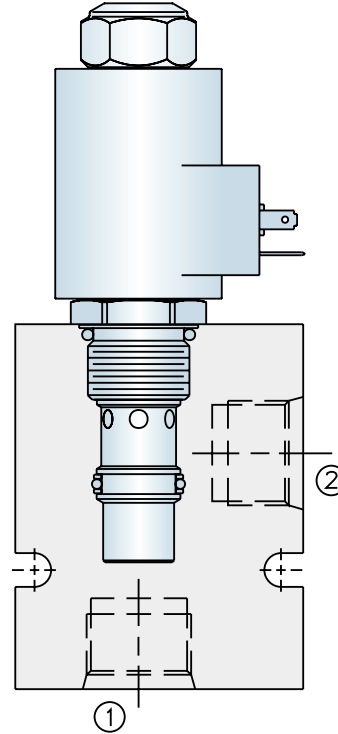
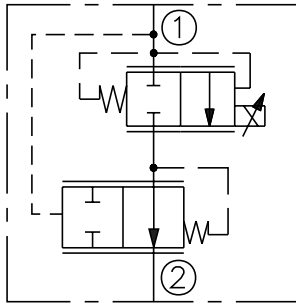
Electro-Proportional Valves



Proportional Flow Control Valves, 2-Way

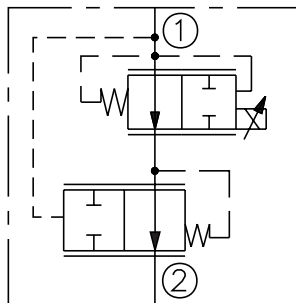
Proportional Flow Control, Restrictive, Normally Closed

Flow	Model	Cat. Pg.
56 lpm / 15 gpm	PV72-20	2.330.1



Proportional Flow Control, Restrictive, Normally Open

Flow	Model	Cat. Pg.
56 lpm / 15 gpm	PV72-21	2.340.1



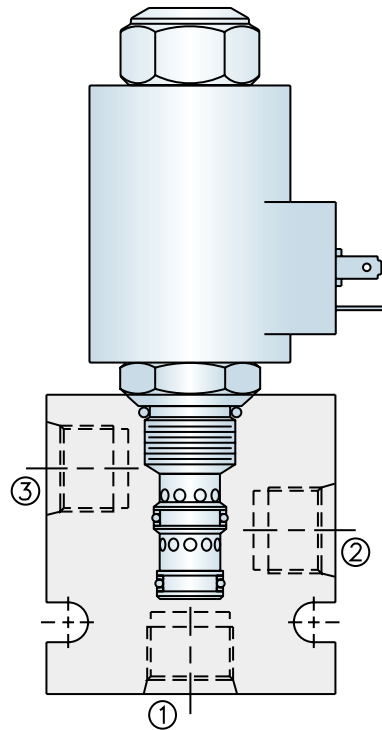
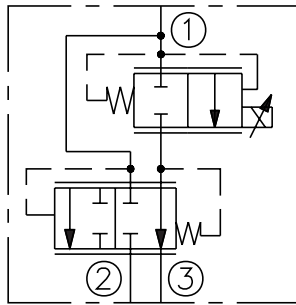
Electro-Proportional Valves



Proportional Flow Control Valves, 3-Way

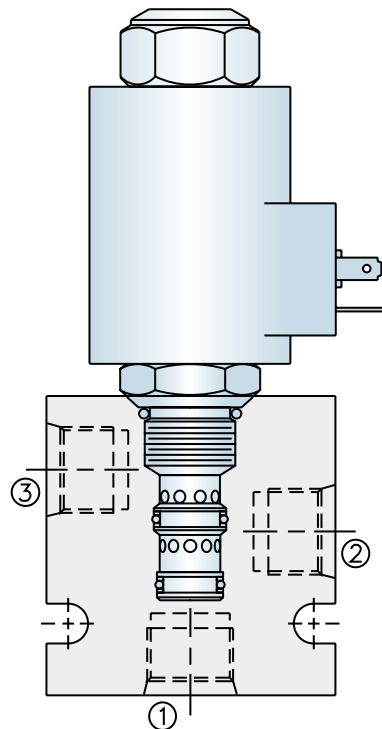
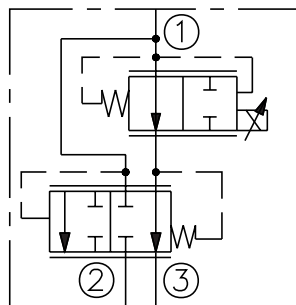
Proportional Flow Control, Bypass, Normally Closed

Flow	Model	Cat. Pg.
22 lpm / 6 gpm	PV08-30	2.370.1
30 lpm / 8 gpm	PV70-30	2.372.1
64 lpm / 17 gpm	PV72-30	2.374.1
151 lpm / 40 gpm	PV76-30A	2.376.1



Proportional Flow Control, Bypass, Normally Open

Flow	Model	Cat. Pg.
22 lpm / 6 gpm	PV08-31	2.380.1
30 lpm / 8 gpm	PV70-31	2.382.1
53 lpm / 14 gpm	PV72-31	2.384.1
79 lpm / 21 gpm	PV76-31	2.386.1



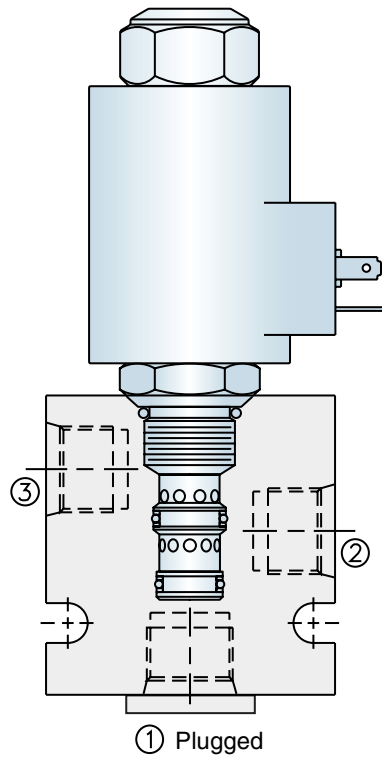
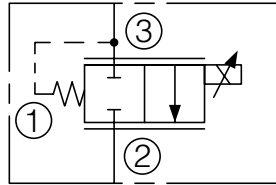
Electro-Proportional Valves



Proportional Flow Control Valves, 3-Way

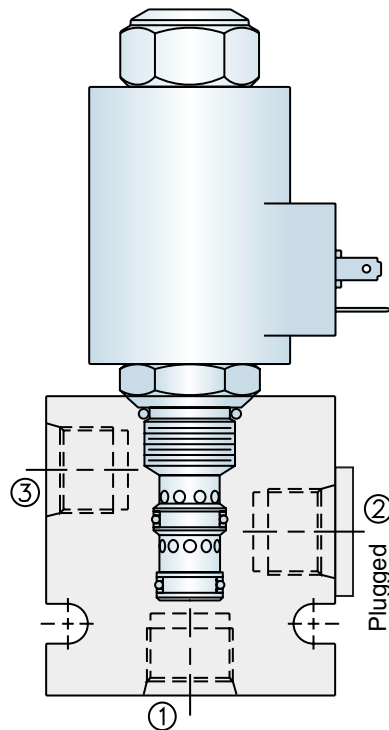
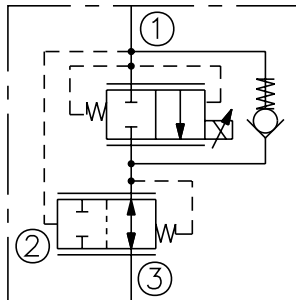
Proportional Flow Control, Normally Closed

Flow	Model	Cat. Pg.
38 lpm / 10 gpm	PV70-33	2.400.1
76 lpm / 20 gpm	PV72-33	2.406.1



Proportional Flow Control, Normally Closed

Flow	Model	Cat. Pg.
30 lpm / 8 gpm	PV70-34	2.412.1
57 lpm / 15 gpm	PV72-34	2.414.1



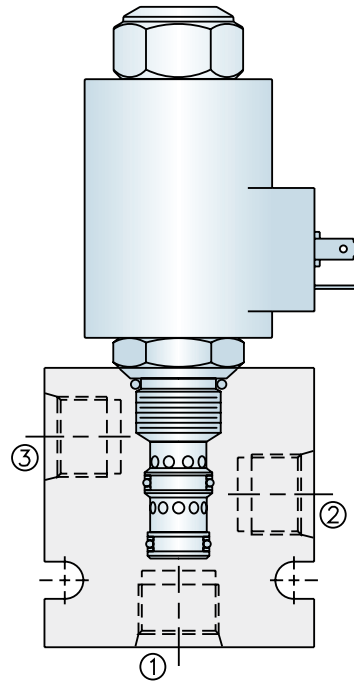
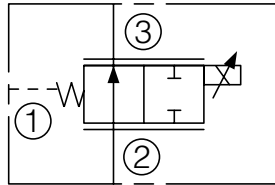
Electro-Proportional Valves



Proportional Flow Control Valves, 3-Way

Proportional Flow Control, Normally Open

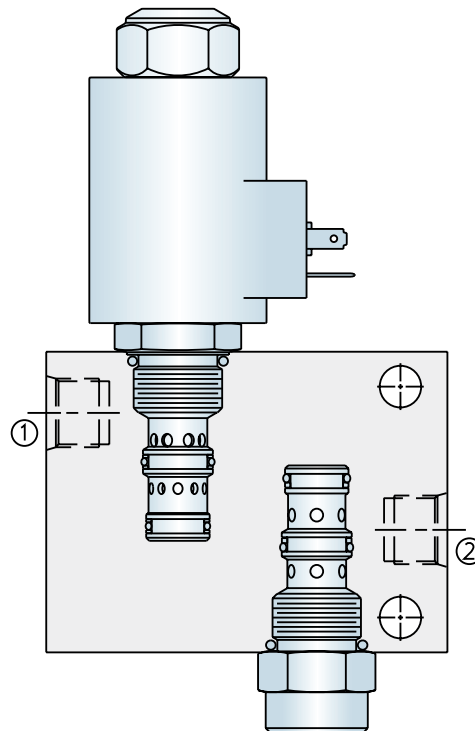
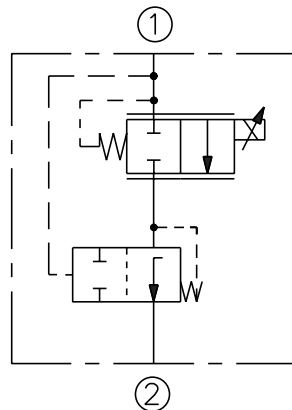
Flow	Model	Cat. Pg.
38 lpm / 10 gpm	PV70-35	2.432.1
87 lpm / 23 gpm	PV72-35	2.434.1



Proportional Flow Regulators, Pressure-Compensated

Proportional Flow Regulator, Pressure-Compensated 2-Port, Normally Closed

Flow	Model	Cat. Pg.
30 lpm / 8 gpm	PFR70-33E	2.401.1
60 lpm / 16 gpm	PFR72-33L	2.408.1



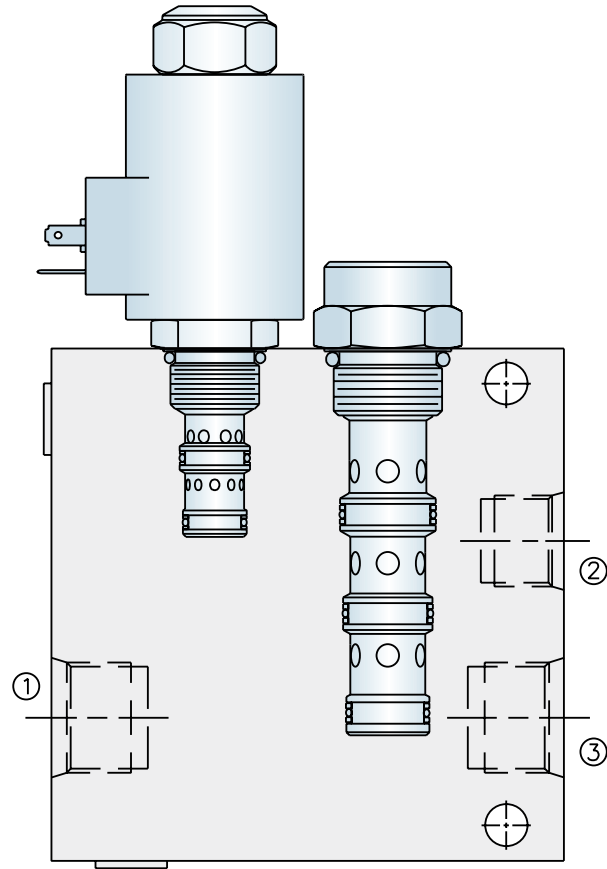
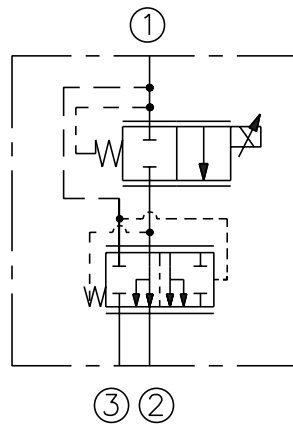
Electro-Proportional Valves



Proportional Flow Regulators, Pressure-Compensated

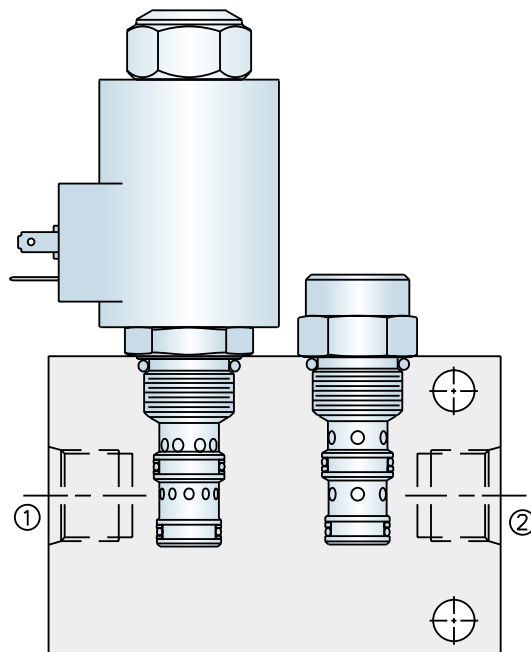
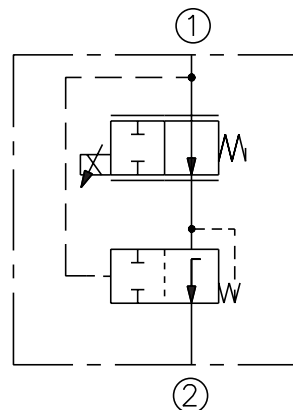
Proportional Flow Regulator Pressure-Compensated, 3-Port Normally Closed, Priority Bypass

Flow	Model	Cat. Pg.
30 lpm / 8 gpm	PFR70-33F	2.402.1
30 lpm / 8 gpm	PFR70-33J	2.403.1
60 lpm / 16 gpm	PFR72-33J	2.407.1



Proportional Flow Regulator, Pressure-Compensated 2-Port, Normally Open

Flow	Model	Cat. Pg.
30 lpm / 8 gpm	PFR70-35E	2.433.1
60 lpm / 16 gpm	PFR72-35L	2.435.1



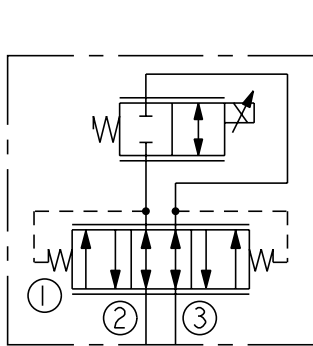
Electro-Proportional Valves



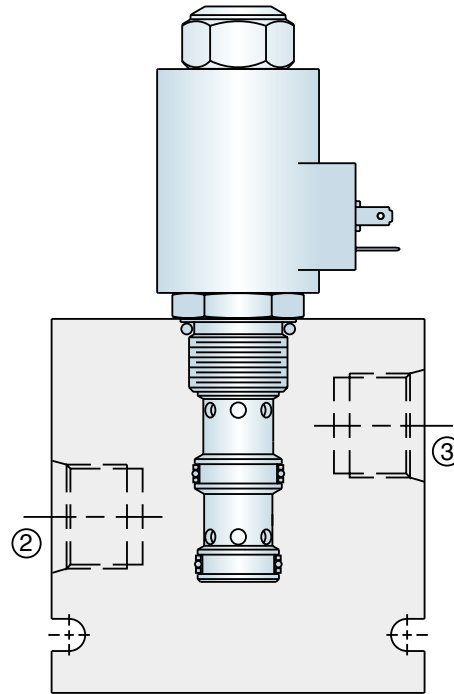
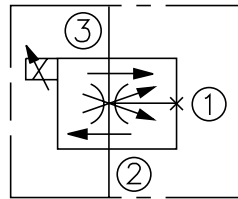
Proportional Flow Control Valves, Bi-Directional

Proportional Flow Control, Bi-Directional, Normally Closed

Flow	Model	Cat. Pg.
19 lpm / 5 gpm	ZL70-30	2.602.1
50 lpm / 13 gpm	ZL72-30	2.604.1

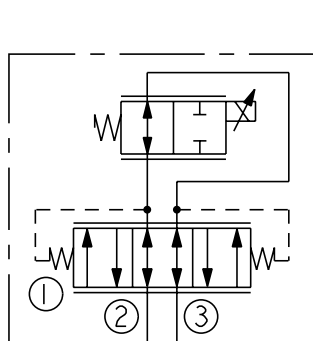


ABBREVIATED

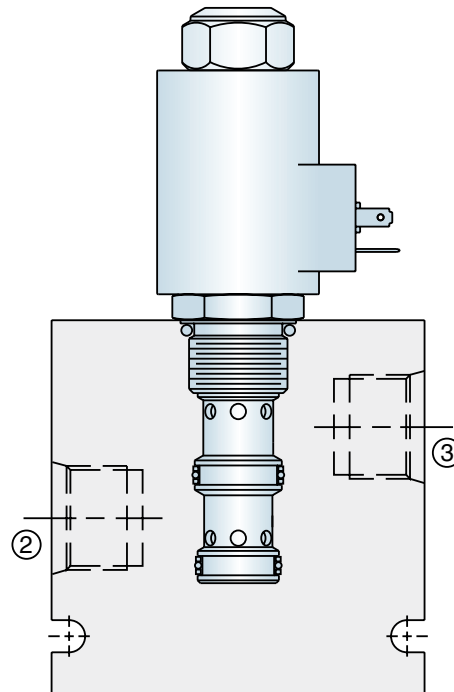
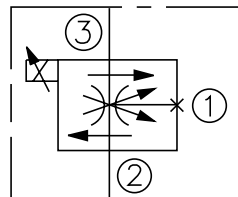


Proportional Flow Control, Bi-Directional, Normally Open

Flow	Model	Cat. Pg.
19 lpm / 5 gpm	ZL70-31	2.622.1
50 lpm / 13 gpm	ZL72-31	2.624.1



ABBREVIATED



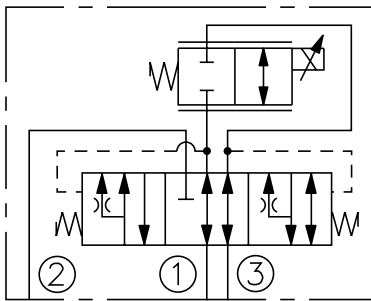
Electro-Proportional Valves



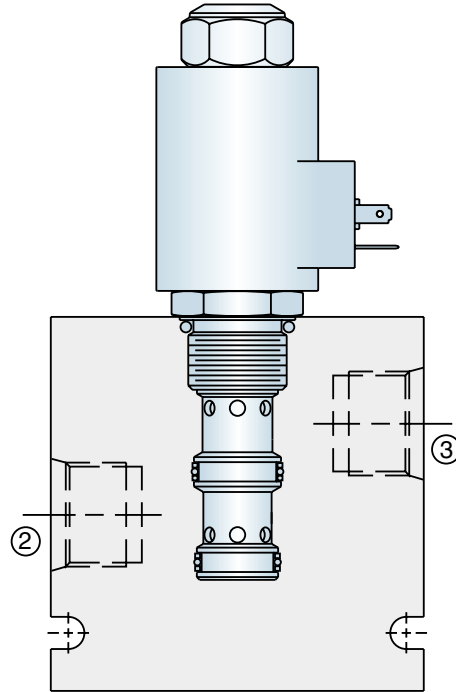
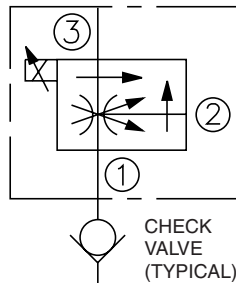
Proportional Flow Control Valves, Bi-Directional

Proportional Flow Control, Bi-Directional, Normally Closed

Flow	Model	Cat. Pg.
19 lpm / 5 gpm	ZL70-33	2.632.1
50 lpm / 13 gpm	ZL72-33	2.634.1
19 lpm / 5 gpm	ZL70-36	2.662.1
45 lpm / 12 gpm	ZL72-36	2.664.1

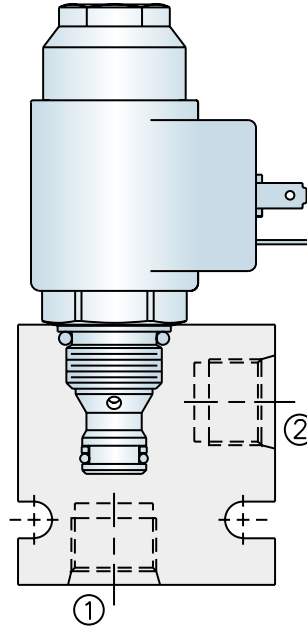
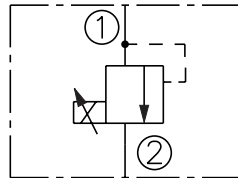


ABBREVIATED:

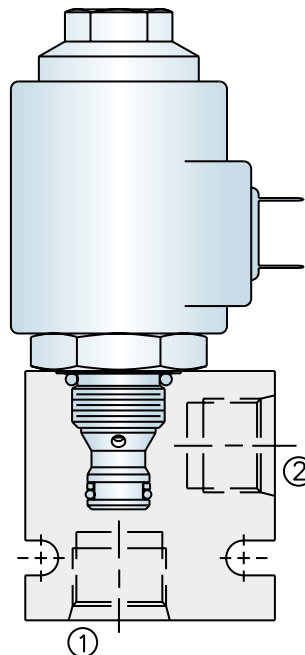
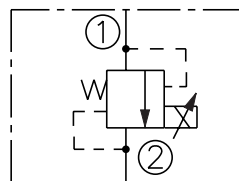


Electro-Proportional Valves**Proportional Pressure Control Valves, Relief****Proportional Pressure Control, Relief
Increasing Pressure with Increasing Current**

Flow	Model	Cat. Pg.
3.79 lpm / 1 gpm	TS08-20	2.812.1
12 lpm / 3.2 gpm	TS38-20	2.813.1

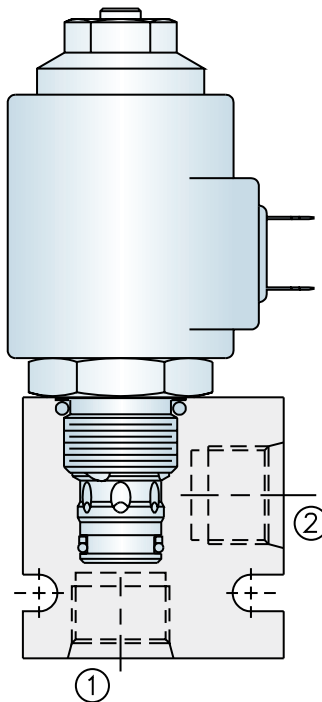
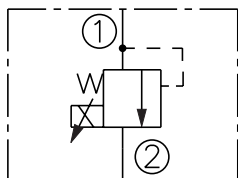
**Proportional Pressure Control, Relief
Decreasing Pressure with Increasing Current**

Flow	Model	Cat. Pg.
1.1 lpm / 0.3 gpm	TS38-21	2.823.1

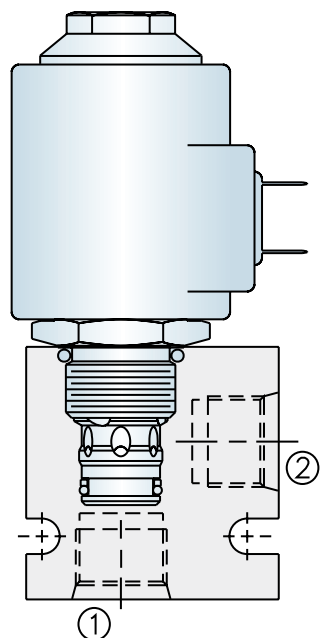
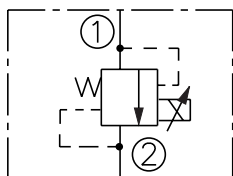


Electro-Proportional Valves**Proportional Pressure Control Valves, Relief****Proportional Pressure Control, Pilot-Operated Relief
Increasing Pressure with Increasing Current**

Flow	Model	Cat. Pg.
95 lpm / 25 gpm	TS10-26	2.852.1
189 lpm / 50 gpm	TS12-26	2.854.1

**Proportional Pressure Control, Pilot-Operated Relief
Decreasing Pressure with Increasing Current**

Flow	Model	Cat. Pg.
19 lpm / 5 gpm	TS08-27	2.860.1
76 lpm / 20 gpm	TS10-27	2.862.1
189 lpm / 50 gpm	TS12-27	2.864.1



Electro-Proportional Valves

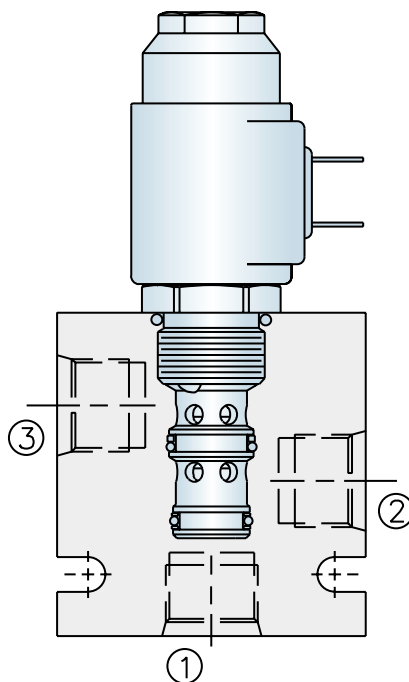
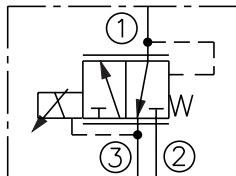


Proportional Pressure Control Valves, Reducing/Relieving

Proportional Pressure Control Reducing/Relieving, Pilot Operated

Flow	Model	Cat. Pg.
25 lpm / 6.5 gpm	TS80-30	2.872.1

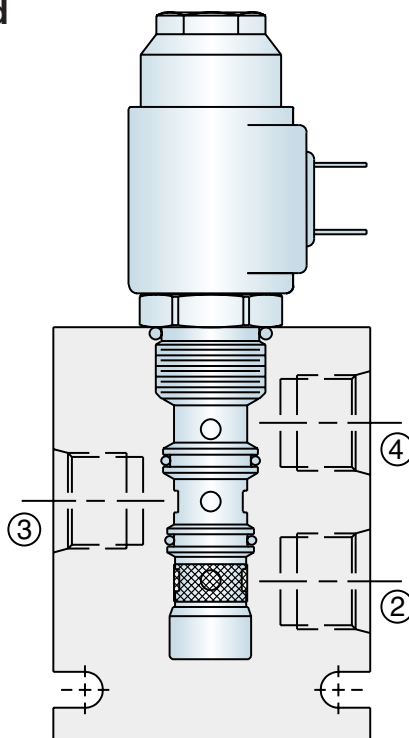
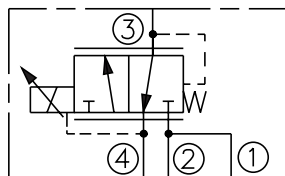
USASI / ISO:



Proportional Pressure Control Reducing/Relieving, Internal Pilot Operated

Flow	Model	Cat. Pg.
30 lpm / 8 gpm	TS98-30	2.882.1
11.4 lpm / 3 gpm	TS98-31	2.890.1

USASI / ISO:



Electro-Proportional Valves

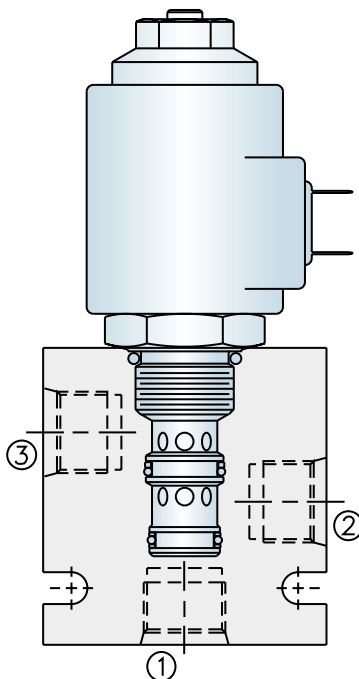
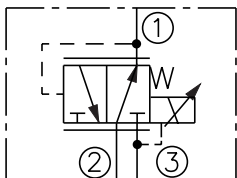


Proportional Pressure Control Valves, Reducing/Relieving

Proportional Pressure Control Reducing/Relieving, Pilot Operated

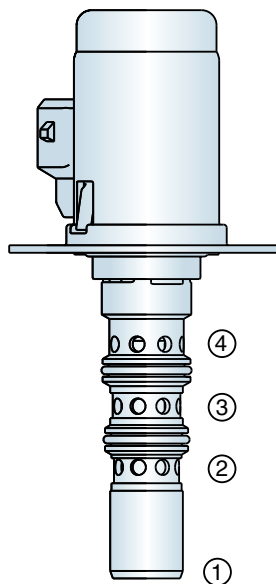
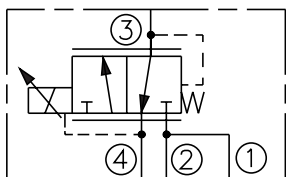
Flow	Model	Cat. Pg.
60 lpm / 16 gpm	TS10-36	2.900.1
189 lpm / 50 gpm	TS12-36	2.901.1

New Model is Highlighted



Proportional Pressure Control, Drop-In Style Reducing/Relieving, Internal Pilot Operated

Flow	Model	Cat. Pg.
30 lpm / 8 gpm	TS98-T34	2.950.1



Electro-Proportional Valves**Proportional Pressure Control Valves, Reducing/Relieving****Proportional Pressure Control
Reducing/Relieving, Direct Operated**

Flow	Model	Cat. Pg.
4 lpm / 1.05 gpm	EHPR08-33	2.970.1

