

Mobile Hydraulic Sensors and its Markets

1. MTS Sensors

Tradition, Experience, Innovation. Pioneer of magnetostrictive Linear Measurement and Technology Leader.

2. Mobile Hydraulic Machines Market Requirements

- Increase the Machine's Productivity
- Reduce fuel Consumption and Emission
- Reduce the Costs on Design & System Solution
- Safety for Operator and Environment
- Comfort for Machine Operator



3. Sensors for Mobile Hydraulics



Safe installation inside the hydraulic cylinder

Embedded Sensors for In-Cylinder Design

Protection of the sensor by the cylinder housing
 resistant against ambient conditions
 (Water, Dirt, EMC, Shock & Vibration)

SIL2 rated sensors

relevant for all safety related systems acc. to IEC 61508



MH ϕ 48 mm
 Standard flange design
 Analog and digital outputs
 20g r.m.s.(20.....2.000 Hz)



MS ϕ 28 mm
 Small, compact design
 Analog outputs
 15 g r.m.s.(20.....2.000 Hz)



MS ϕ 48 mm
 Redundant version
 2 individual analog outputs
 10 g r.m.s.(20.....2.000 Hz)

Reliable Sensor-Installation & Application

Benefits to OEM:

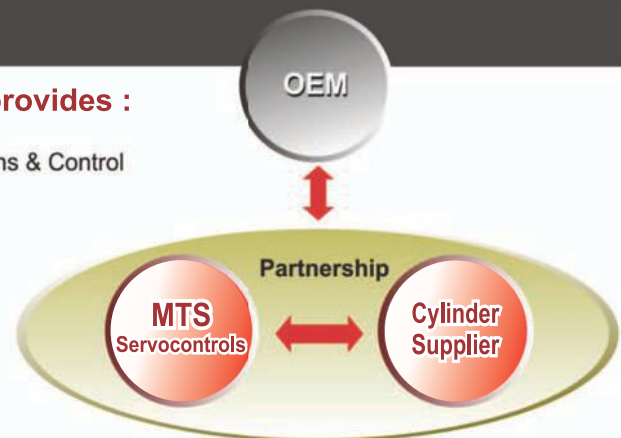
- Integrated In-cylinder solution
- Cylinder-sensor package supplier
- Package price
- High quality- reliability

MTS / Servocontrols provides :

- Sensor Technology
- Knowledge about Applications & Control Systems
- Technology trends
- Service & Support

Benefits from cylinder supplier :

- Knowledge about design and assembly
- Safe product handling Sensor installation and processing





SERVOCONTROLS

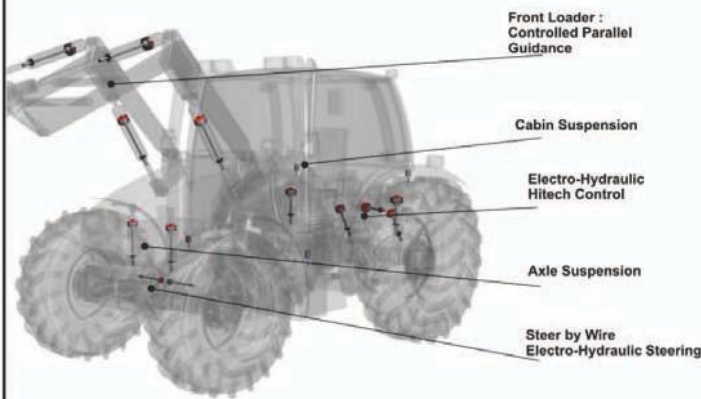
Save Energy with Feedback

MTS

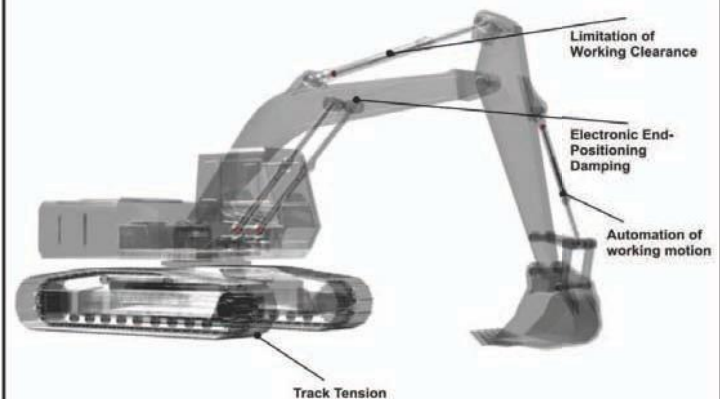
SENSORS

Mobile Hydraulic Applications

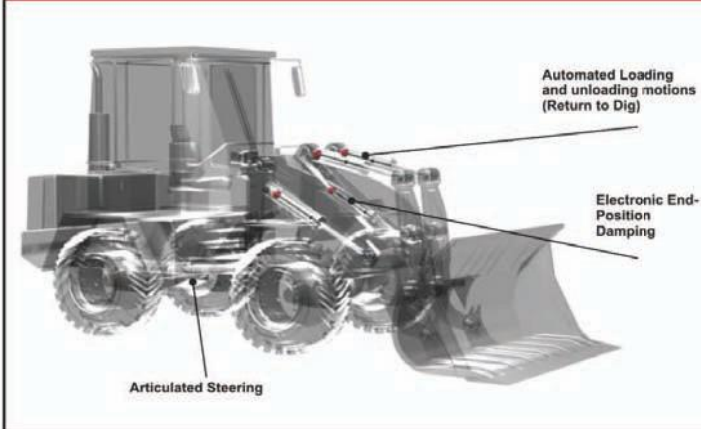
Agricultural Machines



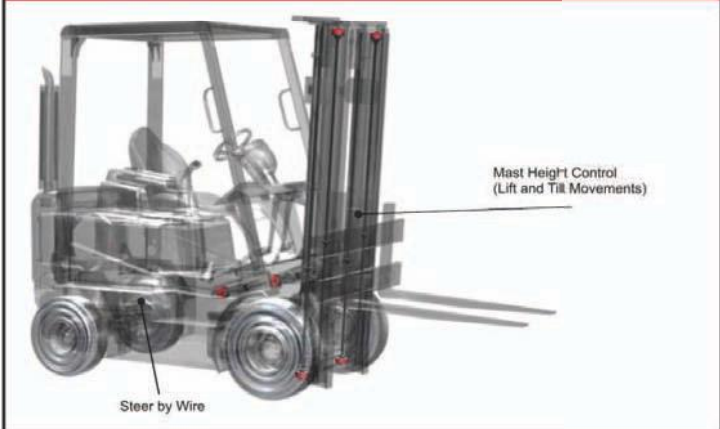
Construction Machines



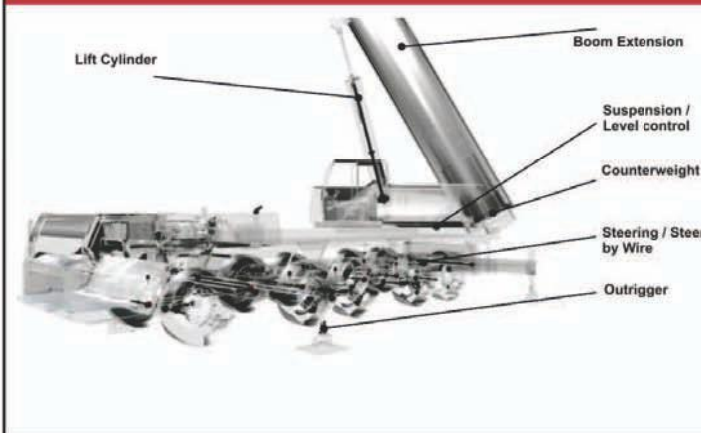
Construction Machines



Material Handling



Mobile Cranes



Advantages with intelligent Sensors

Increased Productivity of mobile machines
- more efficient thanks to innovative sensor technology

Cost reduction
- reduced wear thanks to electronic end
- position damping
- higher availability due to less shut down
- reduced maintenance efforts based on non contact sensing
- reduced fuel consumption due to precised closed loop circuits

Easy handling of the machine
- based on automated operating motion sequences at the push of a button

Safety
- meet new safety standards (IEC 61508)

Comfort
- less physical stress for the engine operator

SERVOCONTROLS & Hydraulics (I) Pvt. Ltd.

Survey No. 683, Industrial Estate, Udyambag, Belgaum 590008, Karnataka, INDIA. Tel: 91-831-2407501/2/3, 2481734, 4201132

Fax: 91-831-2484496 E-Mail: sales@servocontrolsindia.com Website: www.servocontrolsindia.com

Contact Persons:

Mr. Deepak V. Dhadoti

Mobile: +919448395734

Email: deepak@servocontrolsindia.com

Mr. Dinesh V. Dhadoti

Mobile: +919845109022

Email: dinesh@servocontrolsindia.com

Mr. Nitin Urankar

Mobile : +919448395731

Email : hydraulics@servocontrolsindia.com